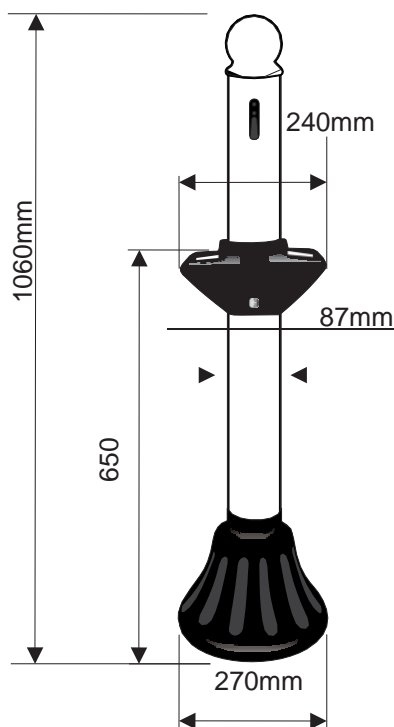


Weight 14Kg



Description

Pedestal made of high durability plastic material (base and tip - PE, body - PVC, cover - ABS) with concrete base (approximate assembly weight: 14.0 kg) and metal hooks for mounting chains or isolation bars (we recommend a distance of up to 4 meters between pedestals for complete efficiency in the utilization of chains, balance and isolation bars) and carrying handles within all the ergonomic conditions, and which promote a significant increase in product life by allowing it to be easily lifted for travel.

Application

Signaling, people and vehicle flow guidance, isolation and demarcation of areas in indoor and outdoor environments, in any kinds of floor.

Differentials

Heavy duty designed pedestal, very impact resistant and extreme use conditions, with an ergonomic handle for transportation within ergonomic and safety standards. Base manufactured in one single piece, without a cover at the bottom, which does not allow the leakage of concrete residues which fill the base, besides not promoting scratches to the floor with rivets and screws in the base, as occurred in most of the options available in the market.

Weather resistant, stainless, metal hooks and modern design.

